



S.T.E.A.L.T.H.



CLASSIFIED



Agents, this man is Edward Beauchamp, the 4th Baron of Saverlake. He is the great-great-grandson of Walter Beauchamp.



Walter Beauchamp was one of the founders of the English League of Fascists in 1932.

ELF was officially outlawed and disbanded in 1940, but it has continued as a secret, underground movement since then.

We believe that the current Baron is the latest leader of this organisation, which ultimately aims to replace all the major governments of the world with leaders who believe in ELF's fascist doctrines.

Recently GCHQ has intercepted and decrypted various documents and communications which seem to indicate that ELF is planning a major world incident, designed to begin the destabilisation of world economies.

Our sources inform us that Beauchamp has fled the country, but we have been able to gain access to his private office.

Your mission agents, if you wish to accept it, is to search Beauchamp's office and find out as much as you can about ELF's plans.

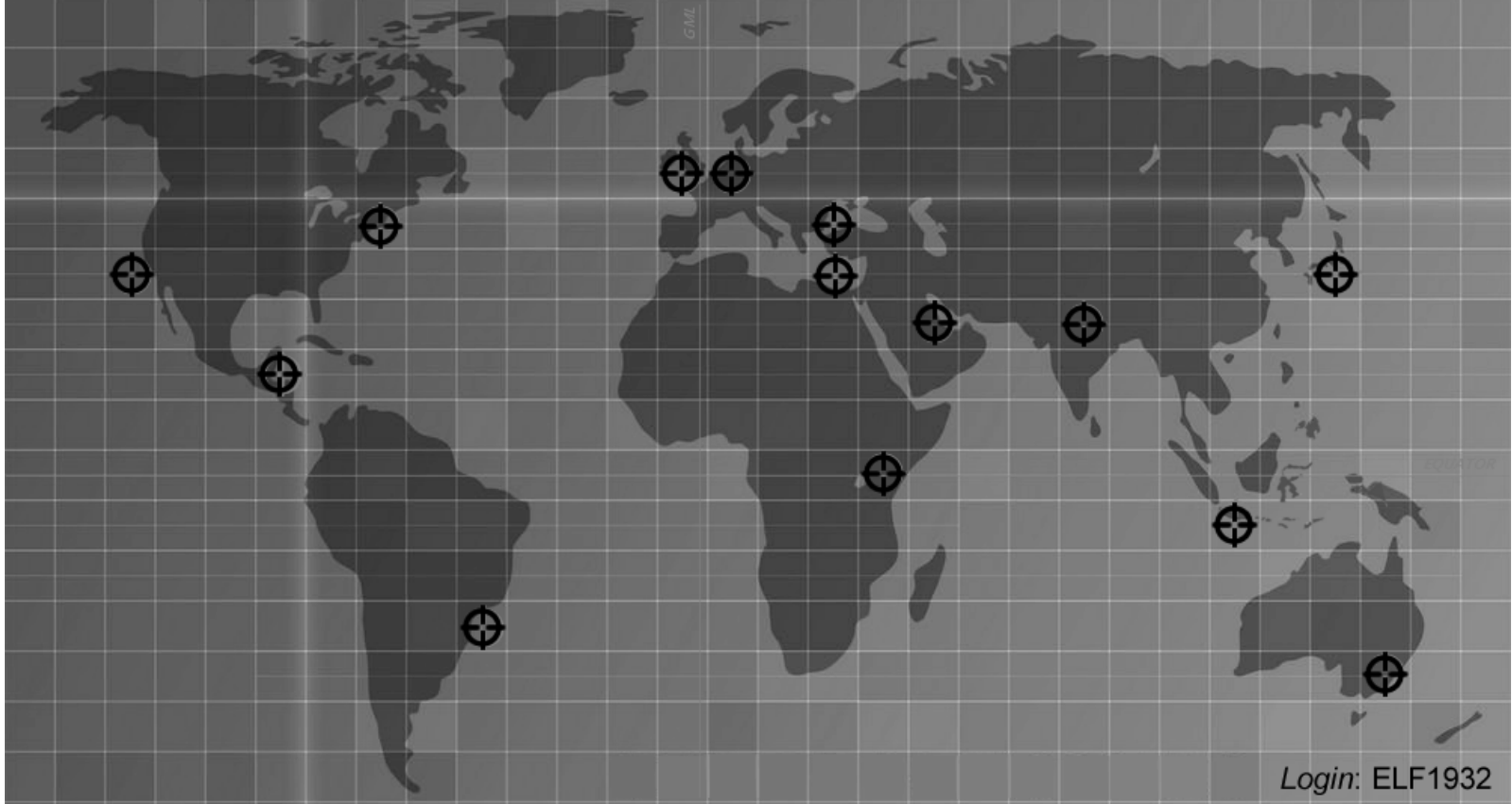
Good luck.



SPOILER ALERT

**The following pages
contain materials
which you should
only look at when
directed to from
within the game.**

M	A	T	C	H	B	O	X
K	O	Y	N	Q	T	H	H
E	L	G	O	H	Z	T	Q
S	A	P	S	R	N	Q	G
X	V	E	T	B	Y	I	O
F	L	M	S	U	U	A	M
T	Y	A	A	C	P	B	H
F	E	I	L	O	K	Z	F
B	E	U	U	K	V	J	I
U	O	L	F	D	I	P	Y
K	N	W	G	M	K	W	D



Aries - ♈ - March 21~April 20
Taurus - ♉ - April 21~May 20
Gemini - ♊ - May 21~June 20
Cancer - ♋ - June 21~July 22
Leo - ♌ - July 23~August 22
Virgo - ♍ - August 23~September 22
Libra - ♎ - September 23~October 22
Scorpio - ♏ - October 23~November 22
Sagittarius - ♐ - November 23~December 21
Capricorn - ♑ - December 22~January 19
Aquarius - ♒ - January 20~February 19
Pisces - ♓ - February 20~March 20

CONSERVATORY

MUSIC ROOM

LIBRARY

STUDY

S-N

-TH

-TA

E-H

HALL

INNER HALL

DINING
ROOM

KITCHEN

WR-

-AP

ANC

CT-

PANTRY

STOREROOM

LAUNDRY

LOUNGE

TRU

ED-

N-S

L-D

POISON

ROPE

CANDLESTICK

PISTOL

T-I

AN-

T-S

RE-

KNIFE

SPANNER

GOVERNESS

GROOM

PL-

-EN

RGE

IEN

COACHMAN

HOUSEKEEPER

BUTLER

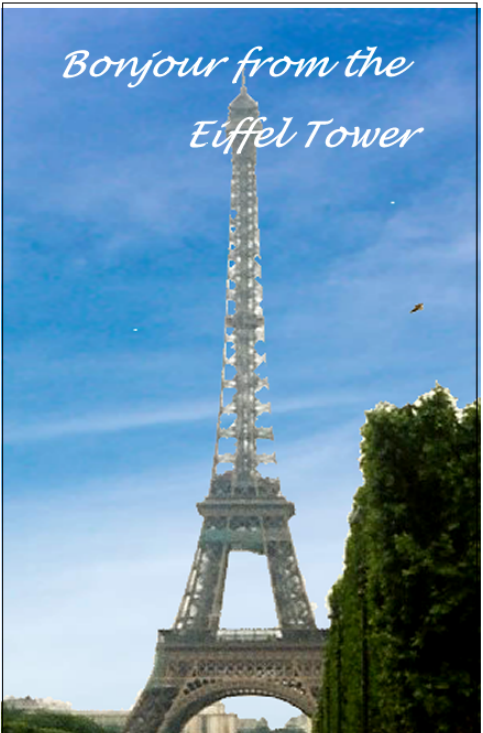
GARDENER

OT-

CTU

THE

ARD



Bonjour from the
Eiffel Tower

Post Card

E =

23rd February,

Yet another summit to attain on my grand
world tour.

Although not too high, the steps were very
steep and my legs were in danger of giving
way when I finally reached the viewing
platform (I decided not to use the
elevator).

E. Beauchamp

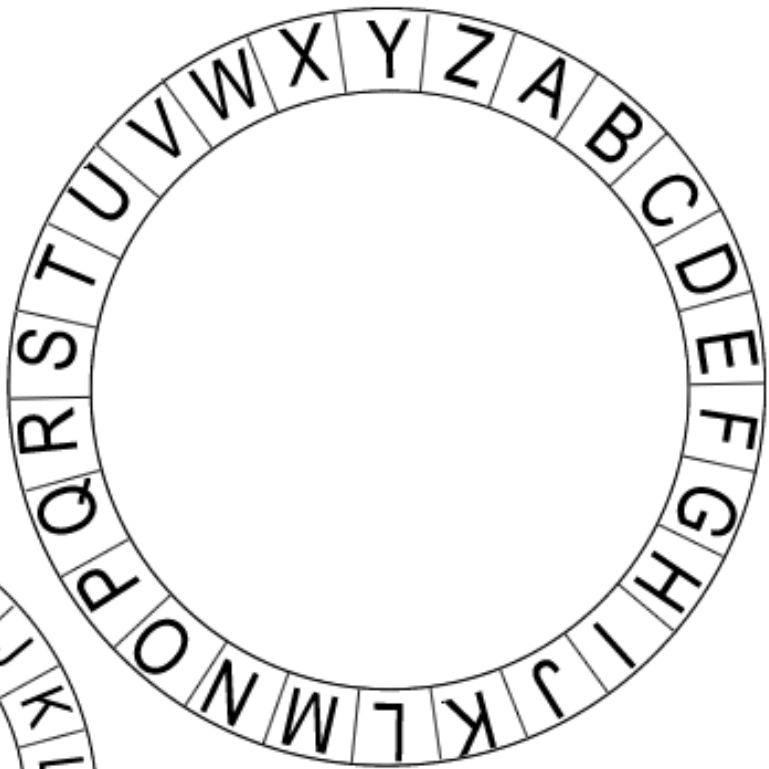
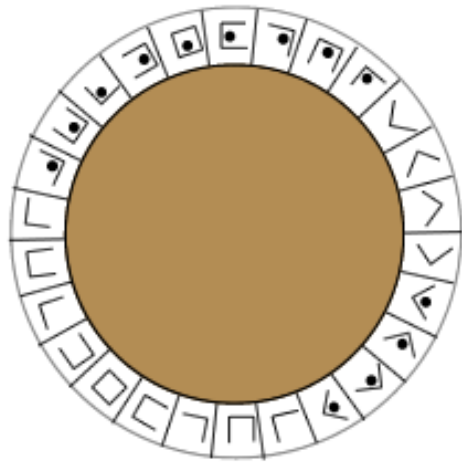
Savernake House

London

EC2 5NA

England

A ALPHA ..---	B BRAVO---	C CHARLIE---	D DELTA ...---	E ECHO	F FOXTROT---
G GOLF ...---	H HOTEL---	I INDIA ..---	J JULIET---	K KILO ...---	L LIMA---
M MIKE ..---	N NOVEMBER ...--	O OSCAR ...---	P PAPA---	Q QUEBEC ...---	R ROMEO ...---
S SIERRA ...---	T TANGO -....	U UNIFORM ...---	V VICTOR---	W WHISKEY ...---	X XRAY ...---
Y YANKEE---	Z ZULU---	1 ONE ...---	2 TWO---	3 THREE---	4 FOUR---
5 FIVE---	6 SIX---	7 SEVEN---	8 EIGHT---	9 NINER---	0 ZERO---



A	B	C	D	E	F	G	H	I	J	K	L	M	N	O	P	Q	R	S	T	U	V	W	X	Y	Z
	0			0							0		0	0		0	0				0			0	0
			0			0		0				0	0	0	0			0			0			0	
0			0				0			0	0				0							0	0	0	
		0		0					0	0				0		0			0	0					
		0		0		0			0					0			0	0			0			0	0
0	0							0		0		0			0						0				
0				0			0		0		0				0					0			0	0	
			0		0				0	0		0						0	0			0		0	0
	0			0	0		0		0				0				0	0	0			0		0	
0		0	0	0							0		0				0				0				0

E D K N I I T M N
 A N S I I D I
 R E O A V M H
 W C I W F N S
 E W E N F R A
 E H A T F Y L O
 D E V T S V E
 E E S S D A E
 E R T L E A G
 P H R R A V A F
 S T A Y E H T
 D T A Y E H T

IT'S HERE
 The new
Bandit
 Laundry

Combinations ...

*...with the new
 Bandit ...
 ...the new ...
 ...the new ...*

— Marshal Graziani
 "utenant-General
 Chief-of-
 'ian, Fascist
 "th has

is for me

Braxton's

Apples are healthy . . . So

An apple a day keeps the doctor away (and) keeps you feeling (fit). Braxton's cider is made from the juice of the finest, ripe, fresh apples. When you are tired or feeling under the weather you will be delighted to find how a glass of Braxton's revives you.

Braxton's — the nation's most popular cider.

German forces begin to surrender

REPORTS received yesterday seem to indicate that, while no formal offer of surrender has been received from Admiral Doenitz, large numbers of German forces have begun to lay down their arms to the Allies without his authority.

Here is the latest information from around Europe:

NORWAY — Negotiations are said to be continuing for the arrangement of the German divisions to lay down their arms at the (ford) across the river Klarälven on the Swedish border.

DENMARK — German troops were reported from Copenhagen to be retreating from the country, back across the border into Germany, with all due (speed).

THE DAILY SENTINEL Wednesday, May 2, 1945

THE DAILY SENTINEL

Est. 1861 **THREE** PENCE No 12,285

Wednesday, May 2, 1945

HITLER DEAD, WAR IS NEARING AN END

Admiral Doenitz appointed as the new Fuhrer

ADOLF HITLER is (dead). German radio stations made the following public announcement yesterday evening: "It is reported from the Fuhrer's headquarters that our Fuhrer, Adolf Hitler, has fallen this afternoon in his command post in the Reich Chancellery, fighting to his last breath against the (war) on Bolshevism. On April 29 [Monday last] the Fuhrer appointed Grand Admiral Doenitz as his successor. The Grand Admiral will now speak to the German people."

Admiral Doenitz, then came on the air and said: "My (aim) is to (save) the German people from annihilation at the hands of Bolshevism. We shall have to (stay) and fight on against the British and Americans as (far) as they hinder our aim."

Horoscopes for this week:

- Aries (March 21 - April 20):** You're cutting negativity out of your life this week. You may have people come to you and expect you to deal with their problems, so you may have to decide what relationships are worth investing in.
- Taurus (April 21 - May 20):** You're welcoming in relationships this week. You may have someone reach out wanting to work with you, or you could be beginning a new romantic relationship.
- Gemini (May 21 - June 20):** You're making some lifestyle changes this week. You may feel the urge to start eating better, drinking less, and squeezing in a regular at-home workout. These small daily steps will help boost your energy.
- Cancer (June 21 - July 22):** You're slowing down and enjoying yourself this week. You're making time for side hobbies, and you could get a boost of creativity. You may also want to flirt, and you could have a new romantic interest come up.
- Leo (July 23 - August 22):** You're enjoying your time at home this week. You might be decorating your space, or you're taking steps to move in the coming month.
- Virgo (August 23 - September 22):** You're picking up several interesting hobbies while refining a skill, or you're working to fully force you start sharing your ideas.

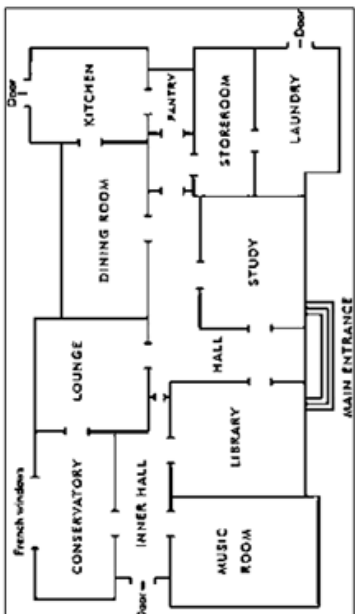
Can you solve the murders of Maldark Hall?

Captain Baggit was staying at his favourite country house Maldark Hall. In the library he found a book describing a deadly murder trail which had taken place at the Hall many years before.

Intrigued about the victims on that fateful day, he tried to solve the mystery himself.

Four people were murdered, each in a different room and each by a different method.

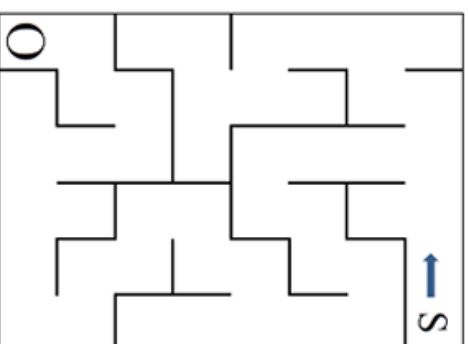
Identify each of the victims, where they were murdered and what the murder weapon was.



JXU JQH WUJ YI YO JXU
DEHJXUHD XUCYIFXUHU

- Clues:**
- The governess was not shot with the pistol but, her body was found in the library.
 - The coachman was strangled with the rope but, he was not the body found in the pantry or the dining room.
 - The victim who was killed with the candlestick was murdered in the dining room.
 - The housekeeper was shot.
 - The inquest proved that the groom was not another victim of poisoning.
 - A body was found in the conservatory.

Escape the Maze



Where is the dog?

DGDDDDGGDDDD
GGGGGGDDDDGGGG



Post Card



F. Beauchamp

Saverlake House

London

Q = A

England

*25th June,
Thank goodness I have a real head for
heights!
The views from the basillia are really
unbelievable (but not air-conditioned).
What a treat.*

Post Card



F. Beauchamp

Saverlake House

London

EC2 5NA

England

*18th October,
The journey to the temple was terrible.
A small cramped truck over the worst
road ever built.
But, the view from the highest stupa was
amazing.
It is also incredibly hot!*





Barony of Sovereign

13th August 2020

My Dear Upton,

The new world order is about to begin!

Following our recent conversations all our plans are in place and will be implemented exactly one month from now.

However, my sources have informed me that the authorities of the old order are hot on my trail and I must retreat for the time being.

I will contact you soon, in the meantime watch the news unfold!

Yours,

EB



30th November,

Finally, after months on travelling, I've made it back home.

I never thought I would be so happy to see the dirty, wet streets of our capital and I can only imagine the changes which are about to bring about.

E. Beauchamp

Savernake House

London

EC2 5NA

England